

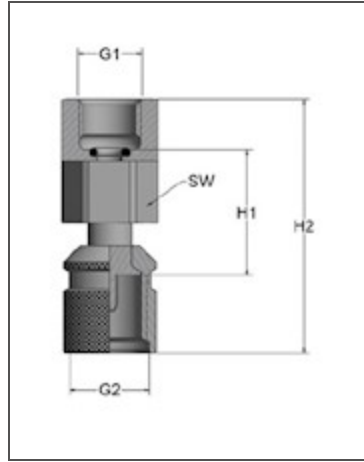

**Anchor Fluid Power**

 5553 Murray Road  
 Cincinnati, OH 45227

**Phone:** 513.527.4444 • **Fax:** 513.527.4449

**Email:** [sales@anchorfluidpower.com](mailto:sales@anchorfluidpower.com)

## PGAM SERIES M16 X 2 DIRECT PRESSURE GAUGE ADAPTERS



1

<u>Item #</u>	<u>Item Name</u>	<u>Seal Material</u>	<u>Dimension SW</u>	<u>Thread G1</u>	<u>List Price</u>
<a href="#"><u>PGAM1620CBB#4</u></a>	PGAM Series M16 x 2 Carbon Steel Direct Pressure Gauge Adapter	Buna	0.75 in	ISO 228-G 1/4	<b>QUOTE</b>
<a href="#"><u>PGAM1620CBN1/4</u></a>	PGAM Series M16 x 2 Carbon Steel Direct Pressure Gauge Adapter	Buna	0.75 in	1/4 NPT	<b>QUOTE</b>
<a href="#"><u>PGAM1620CBS#4</u></a>	PGAM Series M16 x 2 Carbon Steel Direct Pressure Gauge Adapter	Buna	0.87 in	7/16-20 UNF	<b>QUOTE</b>
<a href="#"><u>PGAM1620CVN1/4</u></a>	PGAM Series M16 x 2 Carbon Steel Direct Pressure Gauge Adapter	Viton	0.75 in	1/4 NPT	<b>QUOTE</b>
<a href="#"><u>PGAM1620CVS#4</u></a>	PGAM Series M16 x 2 Carbon Steel Direct Pressure Gauge Adapter	Viton	0.87 in	7/16-20 UNF	<b>QUOTE</b>
<a href="#"><u>PGAM1620SVN1/4</u></a>	PGAM Series M16 x 2 Carbon Steel Direct Pressure Gauge Adapter	Viton	0.75 in	1/4 NPT	<b>QUOTE</b>

<u>Item #</u>	<u>Item Name</u>	<u>Seal Material</u>	<u>Dimension SW</u>	<u>Thread G1</u>	<u>List Price</u>
<u>PGAM1620SVS#4</u>	PGAM Series M16 x 2 Carbon Steel Direct Pressure Gauge Adapter	Viton	0.87 in	7/16-20 UNF	<b>QUOTE</b>